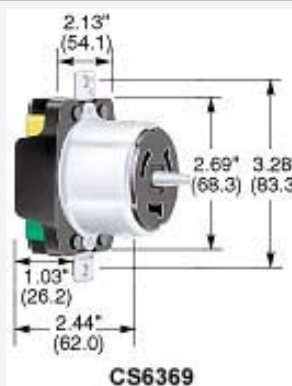


## CS8169 -- 50A Twist-Lock Receptacle

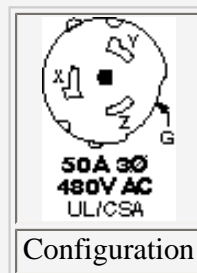


3P4W, 50A 3PH 480V AC, Black  
Melamine

### Product Specifications

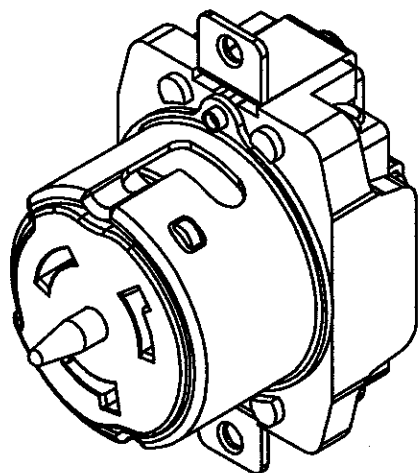
<b>Product Type</b>	<p><b>Twist-Lock Devices</b></p>
<b>Product Item</b>	Single Receptacle
<b>Wiring Scheme</b>	3 Pole, 4 Wire Grounding
<b>Amperage</b>	50A
<b>Voltage</b>	3 Phase 480V AC
<b>Item Style</b>	Standard
<b>Device Color</b>	Black
<b>Housing Material</b>	Phenolic
<b>Terminal Screw Material</b>	Steel pressure screw- zinc plate
<b>Ground Screw Material</b>	Steel pressure screw- zinc plate
<b>Body Contact Carrier Material</b>	Black Thermoset
<b>Contact Spring Material</b>	.100"/.040" Brass
<b>Mounting Screw Material</b>	Steel-zinc-plated

<b>Ground Contact Material</b>	.031" Brass
<b>Bridge (Mounting Strap) Material</b>	.062" Steel, Zinc Plate
<b>Rivet Material</b>	Brass
<b>Ratings</b>	Molded into face for all devices and stamped into stainless steel shroud on plug devices.
<b>Catalog No.</b>	Molded into face for plug and connector bodies and stamped into stainless steel shroud on plug devices.
<b>Dielectric Voltage Withstand</b>	2,000V minimum
<b>Current Interrupting</b>	Certified for current interrupting at full rated current.
<b>Temperature Rise</b>	30 C maximum after 50 cycles at 150% rated current.
<b>Terminal Accommodation</b>	#10 AWG min -#6 AWG max.
<b>Terminal Identification</b>	Terminals identified in accordance with UL 498 (X, Y, Z, White, Green)
<b>Flammability</b>	UL 94 VO for Receptacles and Inlets. HB or better for Plugs and Connectors.
<b>Operating Temperatures</b>	Maximum Continuous 75 C Minimum -40 C (w/o impact)
<b>Pressure Screw Material</b>	Steel, Zinc Plate
<b>Terminals Material</b>	.050" Steel
<b>Casing Material</b>	.062" Steel, Zinc Plate
<b>Listings</b>	UL/CSA
<b>Feature Info</b>	Black melamine.
<b>M Drawings</b>	<a href="#">Click here for M-Drawing</a>
<b>Catalog Page</b>	<a href="#">Click here for catalog page B46</a>
<b>Brochures</b>	<a href="#">Click here for product brochure</a>
<b>Hubbellnet</b>	<a href="#">Click here for Hubbellnet</a>
<b>Catalog Section</b>	<a href="#">Click here for Section-B</a>
<b>UPC Number</b>	78358582850
<b>Weight in LBs</b>	0.75

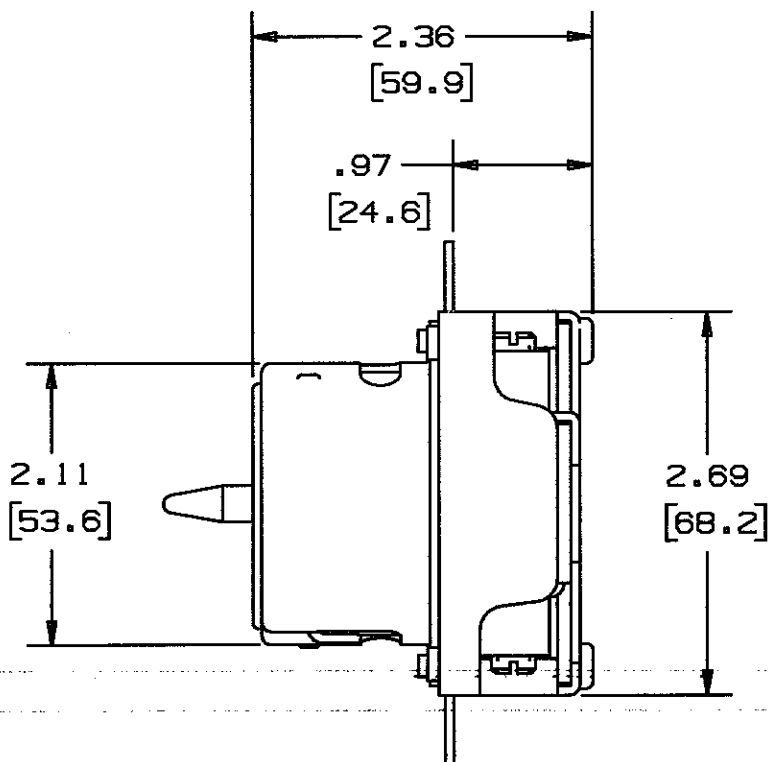
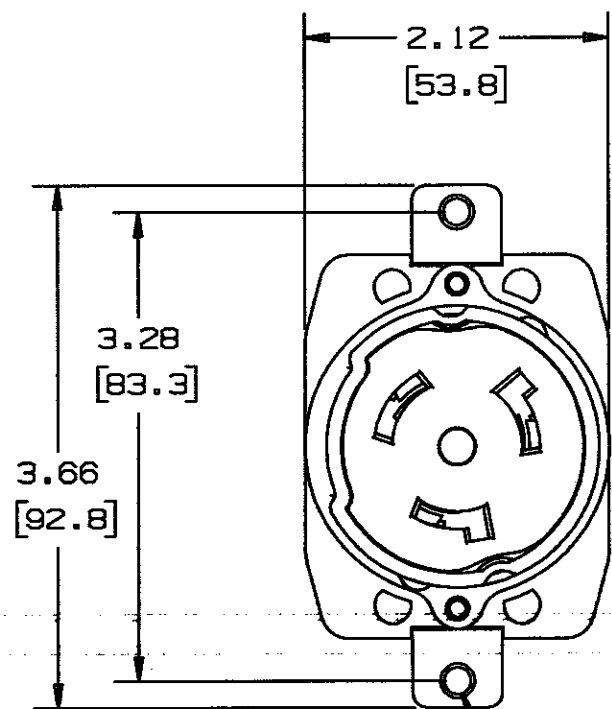


M-8310

5



MARINE CAT. NO.	CONFIGURATION	CENTER PIN	RATING	CAT. NO.	CONFIGURATION	CENTER PIN	RATING
HBL63CM70	NEMA SS1-50R	NO	50A 125V. 2-POLE 3-WIRE	CS6370		YES	50A 125V. 2-POLE 3-WIRE
HBL63CM69	NEMA SS2-50R	NO	50A 125/250V 3-POLE 4-WIRE	CS8269		YES	50A 250V. 2-POLE 3-WIRE
				CS8469		YES	50A 480V. 2-POLE 3-WIRE
				CS6369		YES	50A 125/250V 3-POLE 4-WIRE
				CS8369		YES	50A 250V. 3-PHASE 3-POLE 4-WIRE
				CS8169		YES	50A 480V. 3-PHASE 3-POLE 4-WIRE
				HBL3771		NO	50A 250VDC 50A 600VAC 2-POLE 3-WIRE
				HBL3769		NO	50A 250VDC 50A 600VAC 3-POLE 4-WIRE
				HBL7379		NO	50A 250VDC 50A 600VAC 3-POLE 4-WIRE



NOTES:

- ON "CM" DEVICES, STEEL PARTS ARE MADE OF BRASS OR STAINLESS STEEL AND ALL BRASS PARTS ARE .0003 NICKEL PLATED.
- ALL DIMENSIONS TO BE INCHES. [ mm ]

CODE 74545

LIST OF PARTS

DESCRIPTION	MATERIAL	FINISH
BODY	PHENOLIC	
END PIECE	PHENOLIC	
CENTER PIN	STEEL	Zn PLATE
CONTACT SPRINGS	BRASS	
TERMINAL	STEEL	Zn PLATE
TERMINALS	STEEL	GREEN FINISH
SCREWS	STEEL	BRASS PLATE
COVER	STEEL	Zn PLATE
BRIDGE	STEEL	Zn PLATE
INSULATOR	PHENOLIC	
RIVET	BRASS	Zn PLATE

SYMBOL	REVISIONS	APP	DATE
5	ADDED NOTE 2 PER DCN 11902 RCM	JPP	1/8/05
4	CONVERTED ALL DIMS TO 2 PL DECIMAL AND REMOVED TOL; ADDED [ mm ] TO ALL DIMS PER DCN #8685 RCM	TCM	1/22/02
3	DRAWING TITLE "50A TWIST LOCK RECEPTACLE" WAS "50A 125/250V TWIST LOCK RECEPTACLE CS6369"; ADDED TABLE SHOWING NEMA CONFIGURATIONS; ADDED "NOTE"; REMOVED "CS6369" FROM "DIMENSION SHEET FOR CAT. NO."; PER DCN #8781. JMN CJC	CJC	7/17/01
2	CONVERTED ALL DIMS TO 3 PL DECIMAL AND ADDED TOL PER DCN #7772. AMZ	DB	8/24/00
1	RELEASED PER DCN7348. DJH	MJR	12/20/99

THE DESIGN AND DIMENSIONS OF THE PRODUCT SHOWN ON THIS DRAWING ARE SUBJECT TO CHANGE WITHOUT NOTICE

TITLE 50A TWIST LOCK RECEPTACLE

TOLERANCES UNLESS OTHERWISE SPECIFIED	WIRING DEVICE-KELLEMS HUBBELL INCORPORATED BRIDGEPORT, CT	
FRACTIONS ±1/64	DR. BY DJH	APP. BY MJR
DECIMALS ±.005	TR. BY	SCALE NONE
ANGLES ±2°	CHK'D BY	DATE 12/20/99

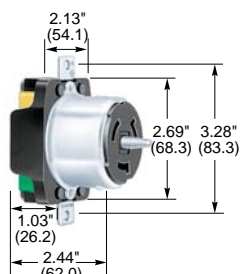
DIMENSION SHEET FOR CAT. NO. M-8310  
 REPAIRABLE  NON-REPAIRABLE

## TWIST-LOCK® Devices

### 3 Pole, 4 Wire Grounding

50 Ampere, 125/250 Volts, 3Ø 250 and 3Ø 480V AC

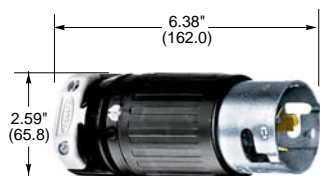
### Receptacles, Connector Bodies, Plugs and Flanged Inlets



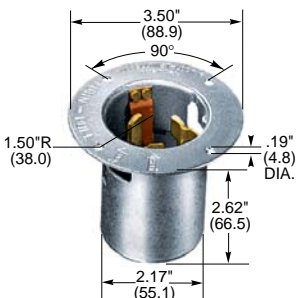
**CS6369**



**CS6364C**



**CS6365C**



**CS6375**



**HBL7774WO**



**50A  
125/250V  
UL/CSA**



**50A 3Ø  
250V AC  
UL/CSA**



**50A 3Ø  
480V AC  
UL/CSA**

#### Receptacles

Description	Catalog Numbers		
Black melamine.	<b>CS6369</b>	<b>CS8369</b>	<b>CS8169</b>

#### Connector Bodies IP20 SUITABILITY

Description	Catalog Numbers		
Nylon cover, Rynite® interior.	<b>CS6364C</b>	<b>CS8364C</b>	<b>CS8164C</b>

Note: Cord clamp range .920"-1.2" (23.681-30.48).



**50A  
125/250V  
UL/CSA**



**50A 3Ø  
250V AC  
UL/CSA**



**50A 3Ø  
480V AC  
UL/CSA**

#### Plugs IP20 SUITABILITY

Description	Catalog Numbers		
Nylon cover, Rynite interior.	<b>CS6365C</b>	<b>CS8365C</b>	<b>CS8165C</b>

Note: Cord clamp range .920"-1.2" (23.681-30.48).

#### Flanged Inlets

Description	Catalog Numbers		
Zinc plated steel casing, Rynite interior.	<b>CS6375***</b>	<b>CS8375</b>	<b>CS8175</b>

Note: \*\*\*See page V-12 for weatherproof inlet.

#### Accessories

##### Weatherproof Boots IP55\*\* SUITABILITY

Description	Catalog Numbers
Seal-Tite® triple seal black elastomeric cover for plugs when used in a cord set and connector bodies when used with flanged inlets.	<b>HBL7716C*</b>
Seal-Tite triple seal black elastomeric cover for connector bodies when used with cord sets.	<b>HBL7717C*</b>

Note: Boots shown on page B-74.

##### Weatherproof Receptacle Cover Plates

Description	Catalog Numbers
Gray thermoplastic, corrosion resistant.	<b>HBL7774WO</b>
Yellow thermoplastic, corrosion resistant.	<b>HBL77CM74WO</b>

##### Receptacle Wall Plate & Box Cover

Description	Catalog Number
Stainless steel 302/304, smooth.	<b>S750</b>
Galvanized Steel fits 4" square, 4 11/16" or 2 gang box	<b>HBL50SC</b>

##### Closure Plug for 50A Inlets

Description	Catalog Number
Black closure plug.	<b>HBL4892*</b>

Notes: For additional accessories see page B-74.

For technical information see page B-85.

\*\*When installed and used properly with plug and connector body combination.

\* Not UL Listed, CSA Certified.

®Rynite is a registered trademark of E. I. Dupont